

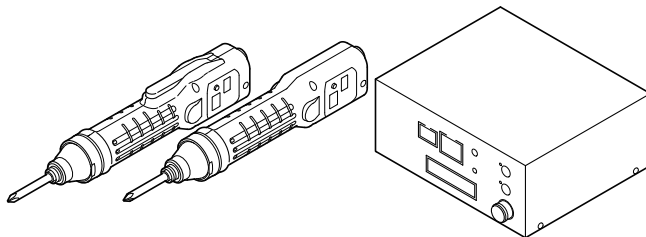
INSTRUCTION MANUAL

Professional tool | **ELECTRIC SCREWDRIVER**

delvo

Model: DLV45C Series / DCC0241X

Parts List



EN

This document is for the special repair operator.

General users should never disassemble the product.

When repair of the tool or part replacement becomes necessary, contact the retailer where you purchased the tool.

FR

Le présent document est destiné aux techniciens de réparation spécialisés.

Les utilisateurs généraux ne doivent jamais démonter le produit.

Lorsqu'une réparation ou le remplacement de pièces est nécessaire, contactez le revendeur auprès duquel vous avez acheté l'outil.

DE

Dieses Dokument gilt für speziell ausgebildete Wartungstechniker.

Allgemeine Nutzer dürfen das Produkt niemals zerlegen.

Wenn das Werkzeug repariert oder ein Teil ausgetauscht werden muss, wenden Sie sich an den Händler, von dem Sie das Werkzeug erworben haben.

IT

Questo documento è destinato all'operatore addetto alle riparazioni speciali.

Gli utenti generici non devono mai tentare di smontare il prodotto.

Per la riparazione dell'utensile o qualora si renda necessaria la sostituzione di un pezzo, rivolgersi al rivenditore presso il quale è stato acquistato l'utensile.

ES

Este documento es para el operador de reparaciones especiales.

Los usuarios generales no deberán desmontar jamás el producto.

Para la reparación de la herramienta o si resulta necesaria la sustitución de piezas, póngase en contacto con el vendedor del que adquirió la herramienta.

PT

Este documento destina-se ao operador de reparações específico.

Os utilizadores gerais não devem nunca desmontar o produto.

Se for necessário substituir alguma peça ou reparar a ferramenta, entre em contacto com o revendedor onde adquiriu a ferramenta.

SC

本文档专为特约维修操作人员准备。

一般用户严禁拆解产品。

需要维修工具或更换零件时，请联系购买工具的零售商。

JP

本書は、専門修理業者向けの資料です。

一般ユーザーの方は、絶対に製品を分解しないでください。

工具の修理や部品の交換が必要な場合は、お買い求めの販売店にお問い合わせください。

● Please read manual carefully before you attempt to use your tool so that you may use it properly and safely.

• Due to continuous product development/improvement the specifications and configurations in this document are subject to change without prior notice.

Manufactured by.

NITTO KOHKI CO., LTD.

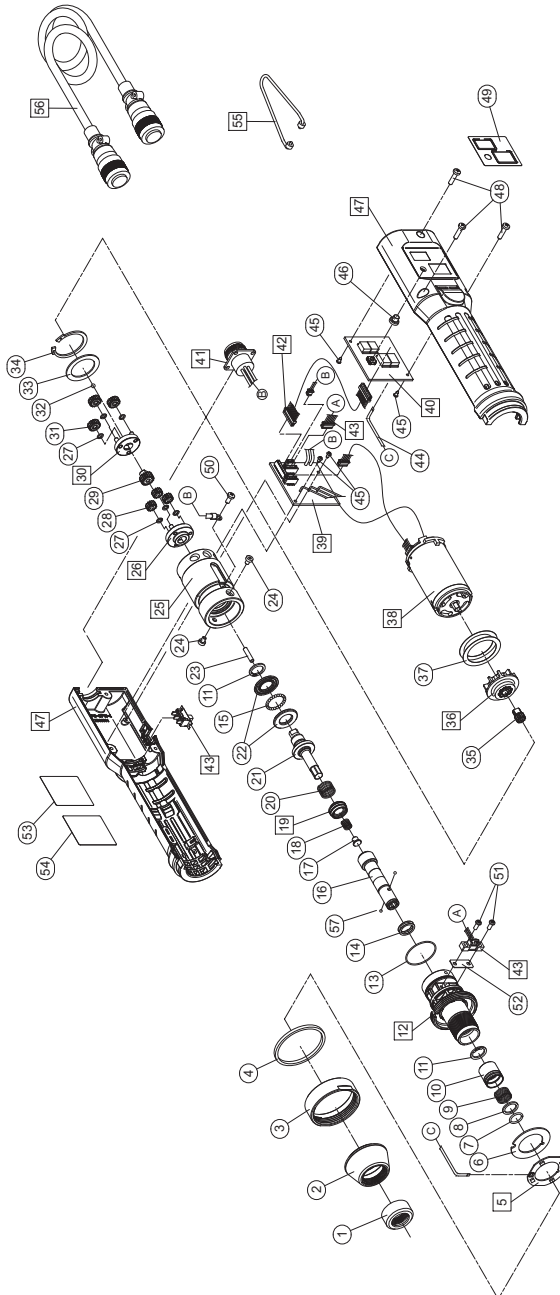
9-4, Nakaikegami 2-chome, Ohta-ku, Tokyo, 146-8555, Japan

Tel : +81-3-3755-1111 Fax : +81-3-3753-8791

(Original Instructions)

TV08059-0 10/2019

EXPLODED VIEW (DLV45C12P)

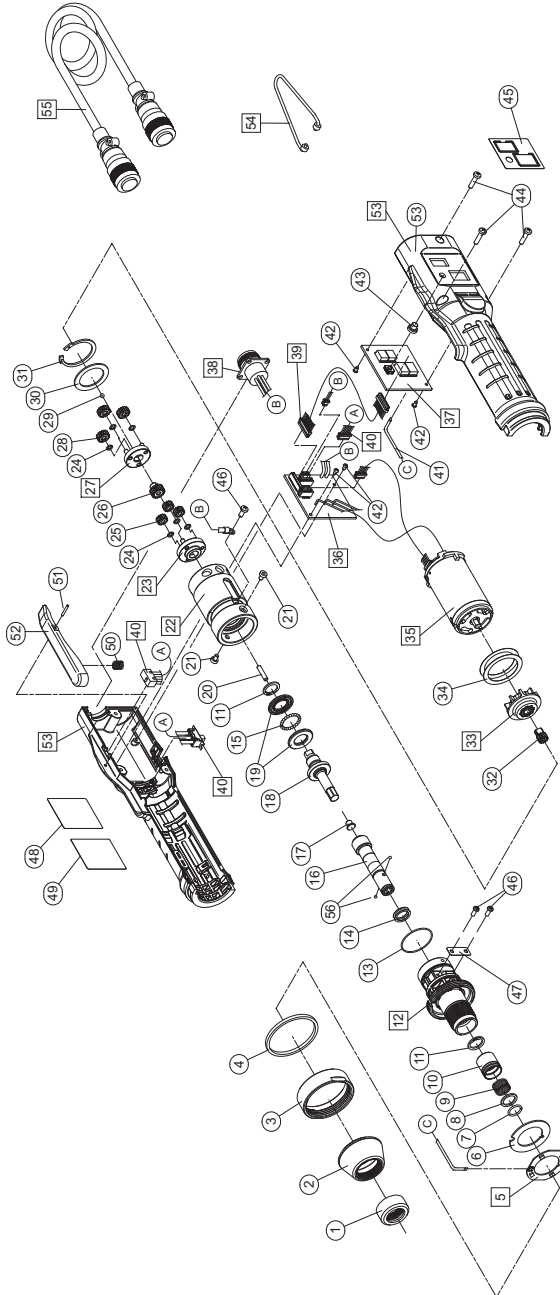


PARTS LIST (DLV45C12P)

No.	Parts Name	Parts No.	Q'ty
1	Cover	TV00013	1
2	LED Cover	TV07996	1
3	Coupling	TV06062	1
4	Accent Ring	TV08089	1
5	LED PCB ASSY	TD09551	1
6	Insulating Sheet	TV08020	1
7	Stop Ring	TV06619	1
8	Holder Collar	TV05124	1
9	Spring	TV00356	1
10	Holder Clamp	TV05126	1
11	Stop Ring	LP10494	2
12	Bearing Case ASSY	TD09533	1
13	O-Ring	TV08024	1
14	Shim 13×10×0.05	TV08018	2
15	Steel Ball 2 dia.	TV00121	23
16	Bit Holder	TV05165	1
17	Stopper	TV05256	1
18	Spring	TV05255	1
19	Magnet Plate F ASSY	TD07347	1
20	Spring	TV04665	1
21	Driveshaft	TV08016	1
22	Thrust Plate	TV08017	2
23	Roller Pin 3×13.8	TV04592	1
24	Hex. Socket Head Bolt	TV08019	2
25	Gear Case ASSY	TD09532	1
26	Gear Base A ASSY	TD09534	1
27	Spacer	TV00147	6
28	Idol Gear 14	TV07342	3
29	Spindle Gera 19	TV05125	1
30	Gear Base B ASSY	TD05110	1
31	Idol Gear 17	TV07343	3
32	Steel Ball 3 dia.	TP15767	1
33	Washer	TV00138	1
34	Stop Ring	TV00140	1
35	Motor Gear 13	TV07346	1
36	Fun ASSY	TD08156	1
37	Spacer	TV04670	2
38	Motor ASSY	TD09542	1
39	Control PCB ASSY	TD09545	1
40	Counter PCB ASSY	TD09548	1
41	Receptacle ASSY	TD09549	1
42	Harness ASSY	TD09550	1
43	Sensor ASSY	TD09552	1
44	Flexible Cable	TV08031	1
45	Screw 2×4	TV07410	4

No.	Parts Name	Parts No.	Q'ty
46	Silicone Switch	TV08040	1
47	Flame Handle ASSY	TD09510	1
48	Screw 3×12	TV02746	3
49	Indicator Label	TV08014	1
50	Screw 2.6×4	TV00438	1
51	Screw 2.6×8	TV04553	2
52	Oil-proof Seat	TV08023	1
53	Rating Label		1
54	Caution Label		1
55	Suspension Bail	TD08220	1
56	Connection Cord ASSY	TD09555	1
57	Steel Ball 3 dia.	CP20000	2

EXPLODED VIEW (DLV45C12L)

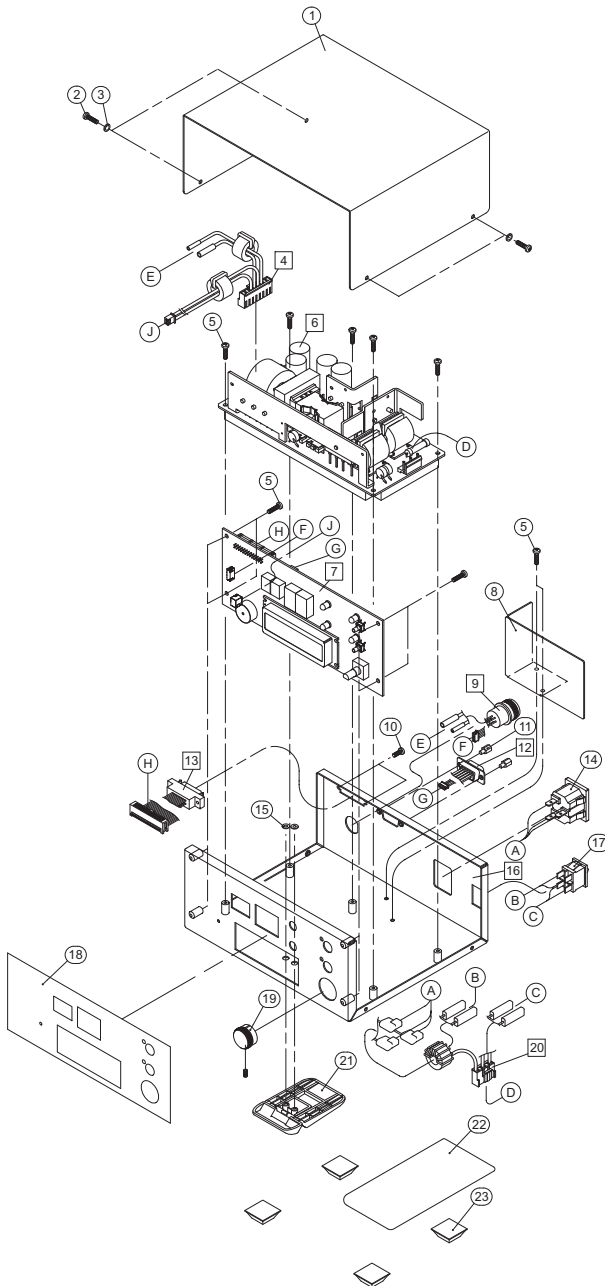


PARTS LIST (DLV45C12L)

No.	Parts Name	Parts No.	Q'ty
1	Cover	TV00013	1
2	LED Cover	TV07996	1
3	Coupling	TV06062	1
4	Accent Ring	TV08089	1
5	LED PCB ASSY	TD09551	1
6	Insulating Sheet	TV08020	1
7	Stop Ring	TV06619	1
8	Holder Collar	TV05124	1
9	Spring	TV00356	1
10	Holder Clamp	TV05126	1
11	Stop Ring	LP10494	2
12	Bearing Case ASSY	TD09533	1
13	O-Ring	TV08024	1
14	Shim 13×10×1	TV08038	2
15	Steel Ball 2 dia.	TV00121	23
16	Bit Holder	TV05165	1
17	Stopper	TV05256	1
18	Driveshaft	TV08016	1
19	Thrust Plate	TV08017	2
20	Roller Pin 3×13.8	TV04592	1
21	Hex. Socket Head Bolt	TV08019	2
22	Gear Case ASSY	TD09532	1
23	Gear Base A ASSY	TD09534	1
24	Spacer	TV00147	6
25	Idoe Gear 14	TV07342	3
26	Spindoe Gera 19	TV05125	1
27	Gear Base B ASSY	TD05110	1
28	Idol Gear 17	TV07343	3
29	Steel Ball 3 dia.	TP15767	1
30	Washer	TV00138	1
31	Stop Ring	TV00140	1
32	Motor Gear 13	TV07346	1
33	Fun ASSY	TD08156	1
34	Spacer	TV04670	2
35	Motor ASSY	TD09542	1
36	Control PCB ASSY	TD09545	1
37	Counter PCB ASSY	TD09548	1
38	Receptacle ASSY	TD09549	1
39	Harness ASSY	TD09550	1
40	Switch ASSY	TD09558	1
41	Flexible Cable	TV08031	1
42	Screw 2×4	TV07410	4
43	Silicone Switch	TV08040	1
44	Screw 3×12	TV02746	3
45	Indicator Label	TV08014	1

No.	Parts Name	Parts No.	Q'ty
46	Screw 2.6×4	TV00438	3
47	Oil-proof Seat	TV08023	1
48	Rating Label		1
49	Caution Label		1
50	Spring	TV00235	1
51	Roller Pin 2×15.8	TQ11207	1
52	Trigger	TV07348	1
53	Flame Handle ASSY	TD09512	1
54	Suspension Bail	TD08220	1
55	Connection Cord ASSY	TD09555	1
56	Steel Ball 3 dia.	CP20000	2

EXPLODED VIEW (DCC0241X)



PARTS LIST (DCC0241X)

No.	Parts Name	Parts No.	Q'ty
1	Cover	TV08041	1
2	Screw 3×5	TV04178	1
3	Tooshed Lock Washer	TV07738	4
4	Power Supply Wire Assembly	TD09564	1
5	Screw 3×6	TV04112	11
6	Switching Power Supply	TD08551	1
7	Control Base Assembly	TD09566	1
8	Shield Plate	TV08045	1
9	Receptacle Assembly	TD09565	1
10	Screw 2.6×5	TV00208	2
11	Spacer	TV08044	2
12	Communication Wire ASSY	TD09569	1
13	External Input Wire ASSY	TV09568	1
14	Inlet	TV04444	1
15	Spacer	TV08047	2
16	Chassis Assembly	TD09563	1
17	Power Switch	TV08042	1
18	Face Plate	TV08001	1
19	Konb	TV07133	1
20	Wiring Assembly	TD08631	1
21	Tilt Leg	TV08046	1
22	Rating Label		1
23	Rubber Foot	TV08043	4

■ Overseas Affiliates / Offices

NITTO KOHKI U.S.A., INC.

46 Chancellor Drive, Roselle, IL 60172, U.S.A.
Tel: +1-630-924-9393 Fax: +1-630-924-0303

NITTO KOHKI EUROPE GMBH

Gottlieb-Daimler-Str. 10, 71144 Steinenbronn, Germany
Tel: +49-7157-989555-0 Fax: +49-7157-989555-40

NITTO KOHKI EUROPE GMBH UK BRANCH

Unit A5, Langham Park Industrial Estate, Maple Road, Castle
Donington, Derbyshire DE74 2UT, U.K.
Tel: +44-1332-653800 Fax: +44-1332-987273

NITTO KOHKI AUSTRALIA PTY.LTD.

77 Brandl Street, Eight Mile Plains, Queensland 4113, Australia
Tel: +61-7-3340-4600 Fax: +61-7-3340-4640

NITTO KOHKI (SHANGHAI) CO., LTD.

Room1506, Suite C, Orient International Plaza, No.85
Loushanguan Road, Shanghai 200336, China
Tel: +86-21-6415-3935 Fax: +86-21-6472-6957

NITTO KOHKI (SHANGHAI) CO.,LTD. Shenzhen Branch

2005C Shenzhen ICC Tower, Fuhuasanlu 168, Futian District,
Shenzhen, Guangdong 518048, China
Tel: +86-755-8375-2185 Fax: +86-755-8375-2187

NITTO KOHKI CO., LTD., Singapore Branch

10 Ubi Crescent #01-62, Ubi Techpark Lobby D, Singapore
408564
Tel: +65-6227-5360 Fax: +65-6227-0192

NITTO KOHKI CO., LTD., Bangkok Representative Office

M&A Business Center, Q-House Convent Bldg., 38 Convent
Rd., Silom, Bangrak, Bangkok 10500, Thailand
Tel: +66-2632-0307 Fax: +66-2632-0308

NITTO KOHKI CO.,LTD. India Liaison Office

3rd Floor, Building No.9-A DLF Cyber City, Phase-III,
Gurgaon, Haryana 122002, India
Tel: +91-124-454-5031 Fax: +65-6227-0192

NITTO KOHKI CO.,LTD. Mexico Representative Office

OF1109 Torre Corporativo 1 Piso 11 Central Park Armando
Birlain Shaffler #2001 Col Centro Sur, Queretaro, Qro,
C.P.76090, Mexico
Tel: +52-442-290-1234